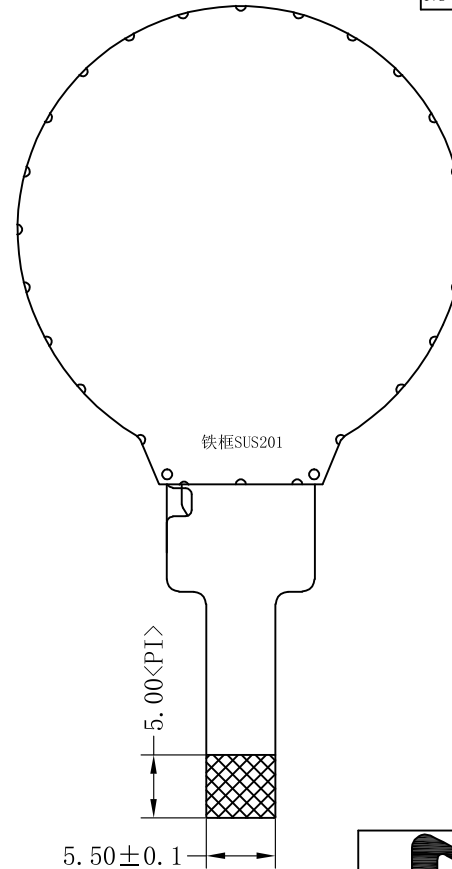
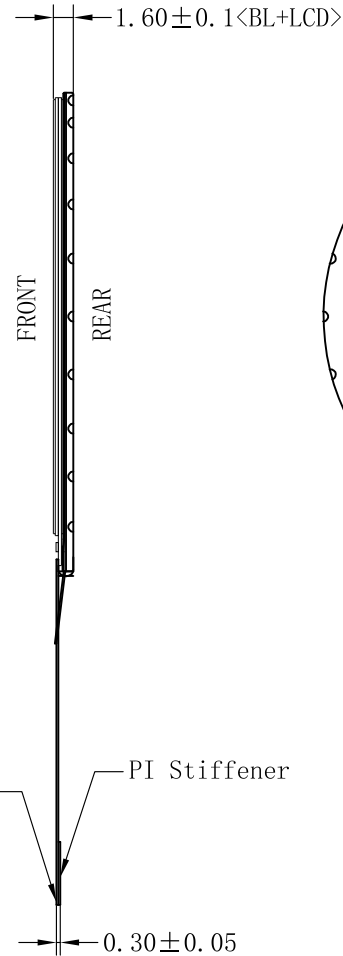
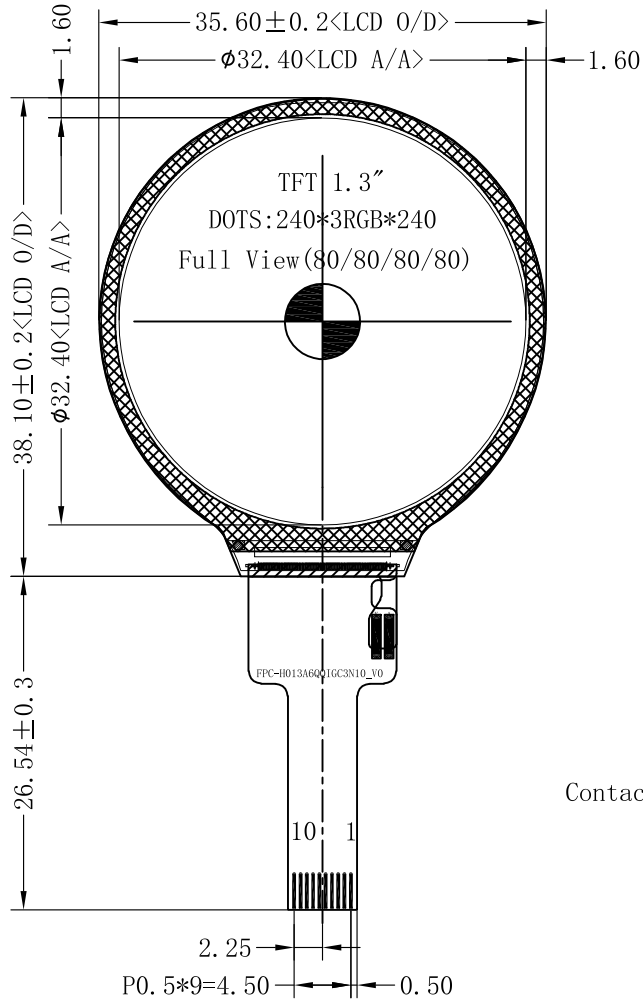


\*\*\* Do not display the fixed pattern for a long time when using a normally black panel, as it may cause image sticking due to the LCM structure. If the screen is displayed in fixed mode, use a screen saver. It is recommended to display the fixed mode in less than 2 minutes or less.

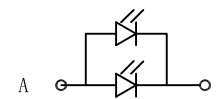


SPI4W	SPI Mode	Use Pins
0	SPI 3L	CS, SDA, SCL
1	SPI 4L	CS, SDA, SCL, D/CX

Note: Fix to VCI when not in use.

Pin	SIGNAL	Pin	SIGNAL
1	LED_A		
2	VCI		
3	CS		
4	RESX		
5	SCL		
6	SDA		
7	D/CX		
8	SPI4W		
9	LED_K		
10	GND		

*1. LCD Display Type	TFT, Transmissive, Normally Black		
*2. Viewing Direction	Full 0° Clock (U80/D80/R80/L80)	*6. Storage Temp	-30° C ~ 80° C
*3. Interface	SPI 3L/4L	*7. Driver IC	GC9A01
*4. Operating Voltage	VCI=2.8V, IOVCC=1.8V (Typ)	*8. Backlight	WHITE Vf=3.2V If=40mA (Typ)
*5. Operating Temp	-20° C ~ 70° C	*9. LCM Brightness	750 cd/m <sup>2</sup> (Typ)



BL CIRCUIT DIAGRAM:  
Vf=3.2V, If=40mA



Dwg Title: TFT-H013A6QQIGC7N10			
Scale: 1:1	Unit: MM	Tol.: ±0.3	
Ver: V0	Drawn: Liu	Date: 2020-08-24	